



FIRESTOP CENTRE

Authorised New Zealand Distributor
Ph (09) 483 4000 www.firestopcentre.co.nz

Multicollar Slim 100mm Plasterboard or Concrete Wall Plastic Pipe with Elbow against Wall

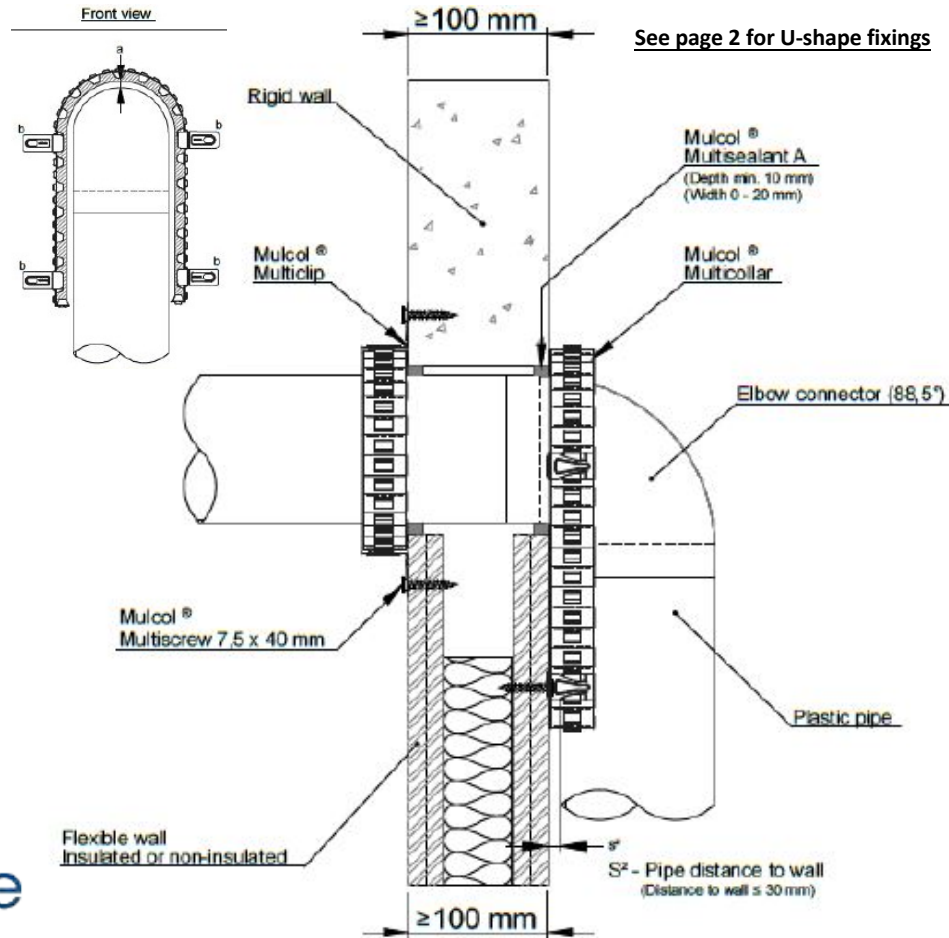
warringtonfire

FAS 210306 Page 26, 33
AS1530.4-2014 AS4072.1-2005

System/FPA Register ID# FC803

Installation Instructions

1. Before installing Mulcol® Multicollar Slim ensure that the surface of all service penetrations and surrounding construction is free from all loose contaminants, dust and grease.
2. Seal the annular gap of up to 20mm with Mulcol Sealant to a minimum depth of 10mm.
3. Use the table on the Multicollar packaging to calculate the number of segments required for the penetrant diameter.
4. Cut the required number of segments from the Multicollar roll and trim the inlay at a slight angle to ensure the stainless steel joints fit together when the collar is placed around the service penetration.
5. Secure the joint with a Multiclip and then attach the remaining Multiclips proportionally around the Multicollar. Use fixings appropriate for the substrate.



See page 2 for U-shape fixings

Products	Mulcol Multicollar Slim Mulcol Sealant
Application	Fire stopping of plastic pipes with elbows against wall in plasterboard or concrete walls
Construction	Minimum wall thickness of 100 mm

Fire Classification

All pipes max diameter 110mm	
PVC-U, PVC-C, PP, PE, PE-HD,	
PE-X, ABS,SAN+PVC	FRR -/120/120
Gebent Silent dB 20	FRR -/120/90
Wavin SiTech+	FRR -/60/60

Note special requirements on page 2 for U-shape fixings. Max 15 segments between clips. In particular, remove inlay from final segment of U-shape and fold in at right angle to seal off the intumescent inlay.

Where FRR of wall is less than FRR of the seal, then the lower FRR applies.



Mulcol International BV
Arnesteinweg 18
4338 PD Middelburg
The Netherlands



warringtonfire

ETA 17/0836 FAS 210306 AS1530.4-2014 AS4072.1-2005

As a part of our policy of on-going product development and testing, we reserve the right to modify, alter or change product specifications without giving notice. All information contained in this document is given in good faith and is provided for guidance only. Any drawings provided are for illustrative purposes only. As Mulcol has no control over the methods or competence of installation and of prevailing site conditions, no warranties, expressed or implied, is intended to be given as to the actual performance of the product mentioned or referred to herein and no liability whatsoever will be accepted for any loss, damage or injury arising from the use of the information given.

For all technical details on the products specified please refer to the technical data sheets that can be found on www.firestopcentre.co.nz

Sheet size: A4	Drawn date & no: 19/8/24
Scale: NTS	Drawn by: G.P.

3. Explanation of Special Applications

Penetrations with Zero Distance to Construction (U-shape)

With plastic pipes with an annular space (≤ 30 mm) through Flexible walls, rigid walls or floors, the Multicollar *Slim* must be extended by 15 segments; see figure 1. The starting point is diameter of the pipe, irrespective of whether it is fitted with decoupling acoustic insulation; see figure 3. With this type of penetration, the increase in the pipe diameter has been taken into account through couplers such as sliding sleeves, etc. The ends of the stainless steel belt must have a 90° bend for this solution to function correctly. The space between the Multiclips in the bend must not exceed a maximum of 15 segments; see figure 4.

Usage table with annular space

Ø External [mm]	Segments
40	30
50	32
56	33
63	34
70	36
75	37
80	38
90	40
100	42
110	44

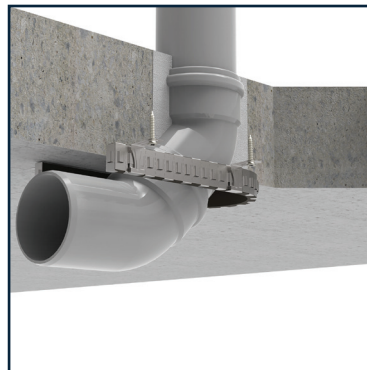


Figure 1

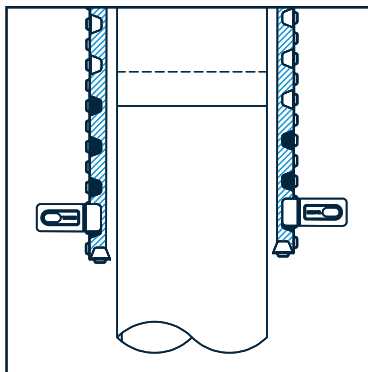


Figure 2

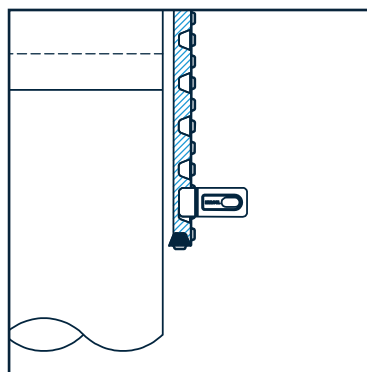


Figure 3

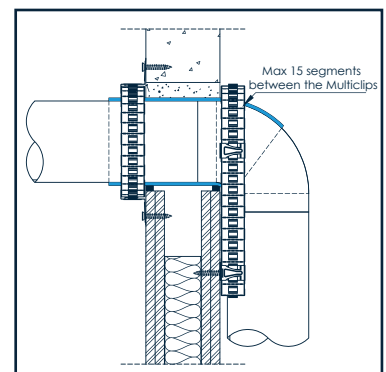


Figure 4

